

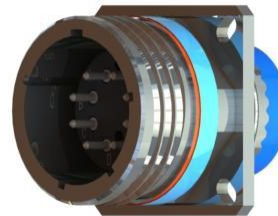
J599 A8 Series Fiber Optic Connectors

Product Description

J599 A8 series optical fiber connector adopts three-head thread quick connection, five-key positioning with blind mating, anti-wrong mating function and anti-vibration function. The connector is made of 316L or aluminum alloy material. The connector has low loss and high reliability. Disassembly is convenient for on-site installation. The product has the characteristics of waterproof, dustproof and corrosion resistance. The current specifications are: 2 cores, 4 cores, 6 cores, 8 cores, etc. At the same time, it can also be customized according to the needs of customers.



J599A8 Plug



J599A8 Socket

Features

- Interface size and performance conform to GJB599A (MIL-DTL-38999) III , ARINC801 standard
- Suitable for aviation, electronic, ship and other systems, for multi-channel optical communication
- The outer shell can be made of different materials and coatings to meet different environmental requirements
- Five-button positioning, with functions of blind mating and anti-wrong mating
- Three-head thread quick connection, with anti-loosening mechanism
- Ceramic pins and bushings are used to realize precise butt joint of contacts
- A variety of tail variations are available
- There is an adapter socket (air-tight optional) to get rid of the shackles of optical cables

Applications

- Aviation
- Electronic
- Weapons
- Ship
- Electricity
- Optical fiber communication system required by harsh outdoor environment



Main Technical Indicators

- Insertion Loss: $\leq 0.6\text{dB}$
- Operating Temperature: $-55^{\circ}\text{C} \sim +85^{\circ}\text{C}$
- Vibration: $10\text{Hz} \sim 2000\text{Hz}$, Power spectral density $0.4\text{G}^2/\text{Hz}$, acceleration root mean square value 23.1
- Shock: 2940 m/s^2 , duration 3ms, velocity change rate 2.96m/s
- Mechanical life: 500 times
- Tensile resistance: $\geq 720\text{N}$ (adapted to optical cables above 5.0mm); $\geq 68\text{N}$ (2mm contact piece jumper)
- Airtightness (applicable to airtight adapter socket): gas leakage $\leq 1 \times 10^{-9}\text{ Pa}\cdot\text{m}^3/\text{S}$, the pressure difference between inside and outside is 1 atmosphere
- Salt spray performance: $\geq 500\text{h}$ (stainless steel), $\geq 200\text{h}$ (cadmium-plated aluminum alloy), $\geq 48\text{h}$ (nickel-plated aluminum alloy)

Model

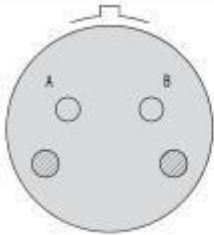
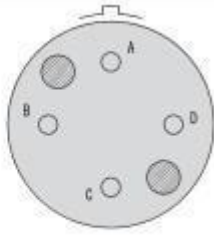
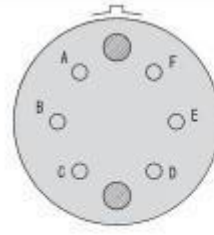
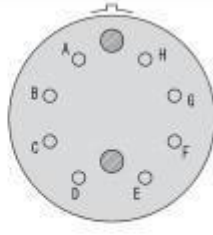
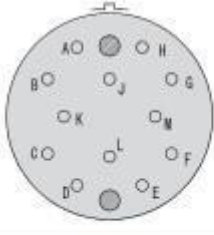
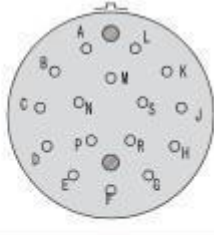
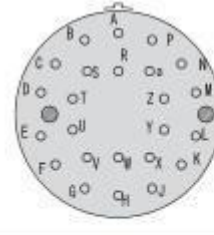
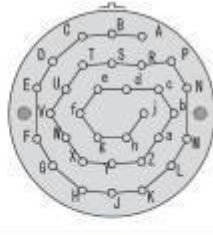
Plug model naming

	A-side plug (socket) model J599 A8/26KC04A1N								/	26	K	C	04	A1	N	
Shell category	20-Square socket															
	26-Plug															
Shell material and coating	W-Aluminum alloy cadmium plated army green															
	F-Aluminum Alloy Chemical Nickel															
	K-Surface purification of stainless steel															
Shell No.	11	13	15	17	19	21	23	25								
	B	C	D	E	F	G	H	J								
Contact arrangement	See contact arrangement diagram for details															
Contact key category	A1 Socket Optical Pin (UPC) B1 Plug Optical Jack (UPC)															
key position	N-Normal key position; A, B, C, D, E-Change key position															

None of the above connectors contain contacts.



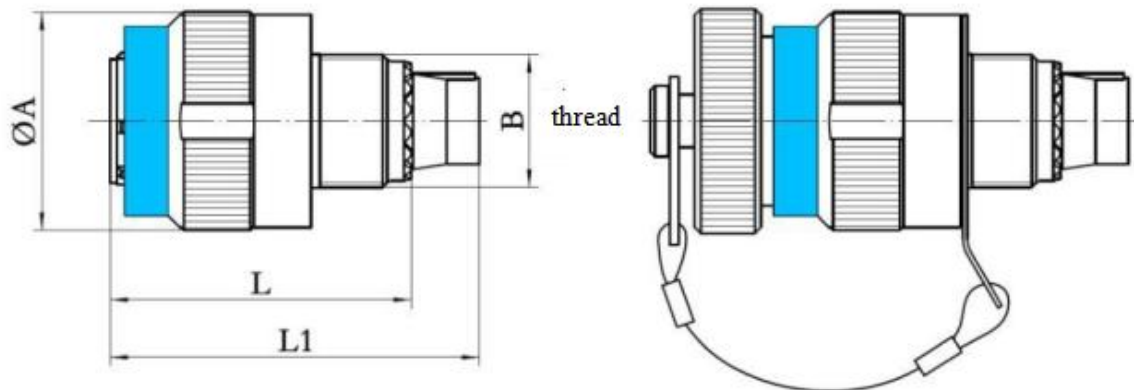
Contact arrangement (Plug)

			
11-02	13-04	15-06	17-08
			
19-12	21-16	23-24	25-32

○ represents the contact position ● represents the position of the guide

Product outline drawing

Plug

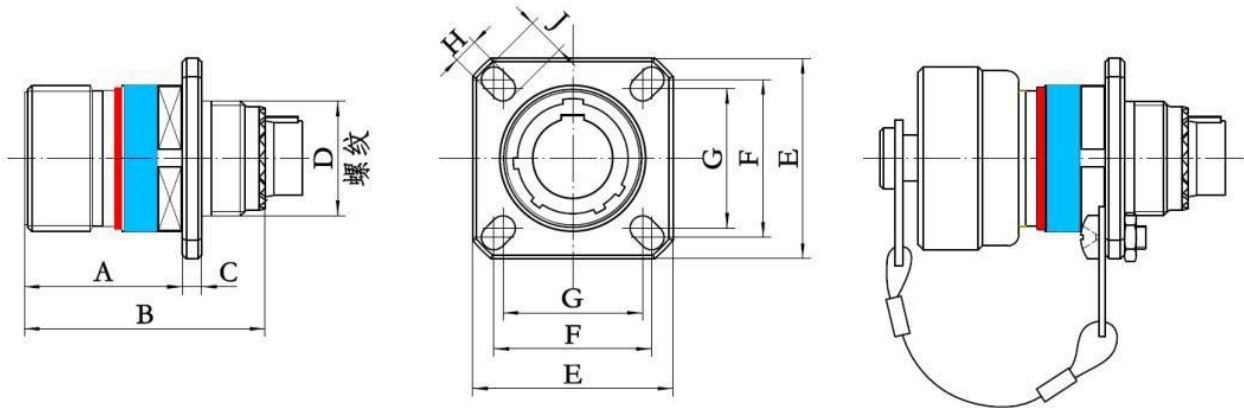


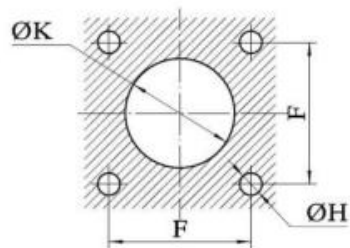
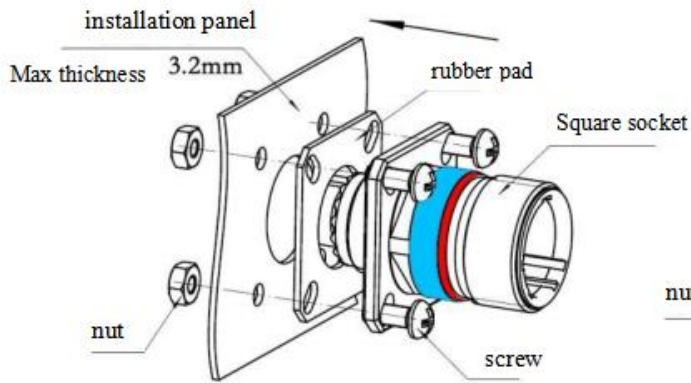
Outline drawing of plug (without tail attachment)



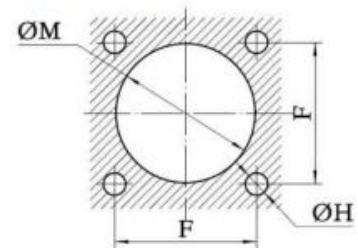
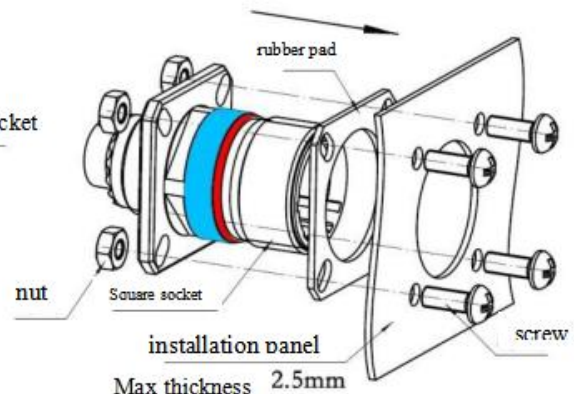
Shell NO.	Shell code	A max	thread	L max	L1 max
11	B	25.00	M15x1-6g	32	42
13	C	29.40	M18x1-6g	32	42
15	D	32.40	M22x1-6g	32	42
17	E	35.60	M25x1-6g	32	42
19	F	38.50	M28x1-6g	32	42
21	G	41.70	M31x1-6g	32	42
23	H	44.90	M34x1-6g	32	42
25	J	48.00	M37x1-6g	32	42

Socket





Square socket front installation and panel hole size



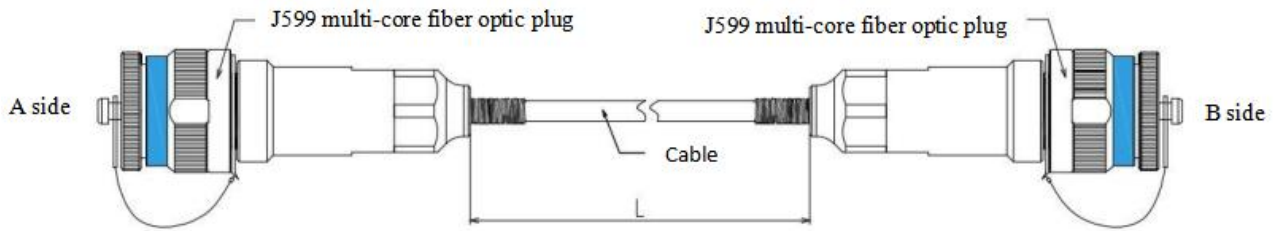
Rear installation of square socket and panel opening size

Shell NO.	Shell code	A	B	C	D	E	F	G	H	J	K	M
		max	max	max	thread						mini	mini
11	B	20.90	36.50	2.50	M15x1-6g	26.20	20.62	18.26	3.25	4.93	15.88	20.22
13	C	20.90	36.50	2.50	M18x1-6g	28.60	23.01	20.62	3.25	4.93	19.05	23.42
15	D	20.90	36.50	2.50	M22x1-6g	31.00	24.61	23.01	3.25	4.93	23.01	26.59
17	E	20.90	36.50	2.50	M25x1-6g	33.30	26.97	24.61	3.25	4.93	25.81	30.96
19	F	20.90	36.50	2.50	M28x1-6g	36.50	29.36	26.97	3.25	4.93	28.98	32.94
21	G	20.10	36.50	3.20	M31x1-6g	39.70	31.75	29.36	3.25	4.93	32.16	36.12
23	H	20.10	36.50	3.20	M34x1-6g	42.90	34.93	31.75	3.91	6.15	34.93	39.29
25	J	20.10	36.50	3.20	M37x1-6g	46.00	38.10	34.93	3.91	6.15	37.69	42.47



Optical Cable Assembly Ordering Model

Optical Cable Assembly Outline Drawing



J599 Series Plugs

A-side plug (seat) model	J599 A8/26KC04A1N	-	J599A8/26KC04N	-	S	L10
B-end plug (seat) model						
Fiber type	S-SM OM2-MM50/125 OM4-MMOM4		OM1- MM62.5/125 OM3- MM50/125 (OM3 High speed)			
Cable Assembly Length	L10-cable length L=10 (unit: m)					

[Example of order model number]

(1) J599A8/26KC02N-J599A8/26KC02N-S-L10

Indicates: Both ends are J599A8/26KC02N-plugs, the optical cable is an outdoor single-mode optical cable, and the length of the optical cable is 10m

(2) J599A8/26KC04N-J599A8/26KC04N-OM3-L500

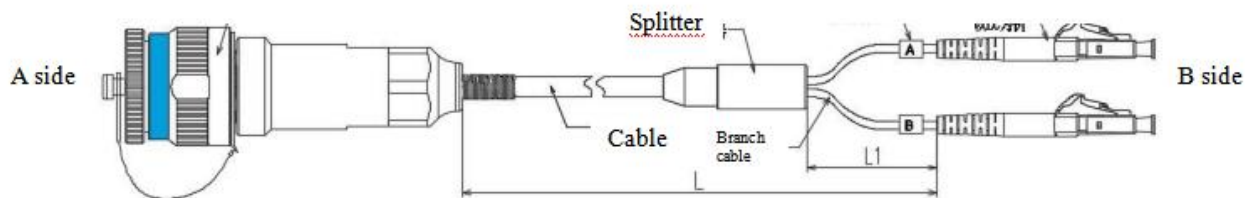
Indicates: Both ends are J599A8/26KC04A1N-plugs, the optical cable is an outdoor OM3 high-speed optical cable, and the length of the optical cable is 500m



[J599 fiber optic plug/receptacle with accessories recommended fiber optic cable]

Outer Dia (mm)	Core Qty.	Tensile strength	Compressive strength	Optical cable transmission mode
3.00	1	Long term 400N	Long term 2000N	S-refers to Single Mode
		Short term 800N	Short term 3000N	
3.00	2	Long term 600N	Long term 2000N	
		Short term 1200N	Short term 3000N	
4.00	2	Long term 800N	Long term 2000N	
		Short term 1500N	Short term 3000N	
4.50	4	Long term 800N	Long term 2000N	
		Short term 1500N	Short term 3000N	
5.00	6	Long term 800N	Long term 2000N	
		Short term 1500N	Short term 3000N	
6.00	8	Long term 800N	Long term 2000N	
		Short term 1500N	Short term 3000N	
6.00	12	Long term 800N	Long term 2000N	
		Short term 1500N	Short term 3000N	
7.00	24	Long term 800N	Long term 2000N	
		Short term 1500N	Short term 3000N	

The actual number of cores, the outer diameter of the optical cable, and the tensile strength can be customized according to customer needs.



Ordering information

A-side plug (seat) model J599 A8/26KC04N	-	4LC	-	S	L1/0.5
A-side plug (seat) model	4-Indicates the number of active connectors LC-plug form can be SC, FC, ST, etc.				
Fiber type	S-SM	OM1-MM62.5/125			
	OM2-MM 50/125	OM3-MM50/125 (OM3High Speed)			
	OM4-MM OM4				
Cable Assembly Length	L10-Cable Length L=10 (unit : m)				
	L1-Branch Length L1=0.5 (unit : m)				

[Example of order model number]

(1) J599A8/26KC02N-2LC-S-L10/0.5

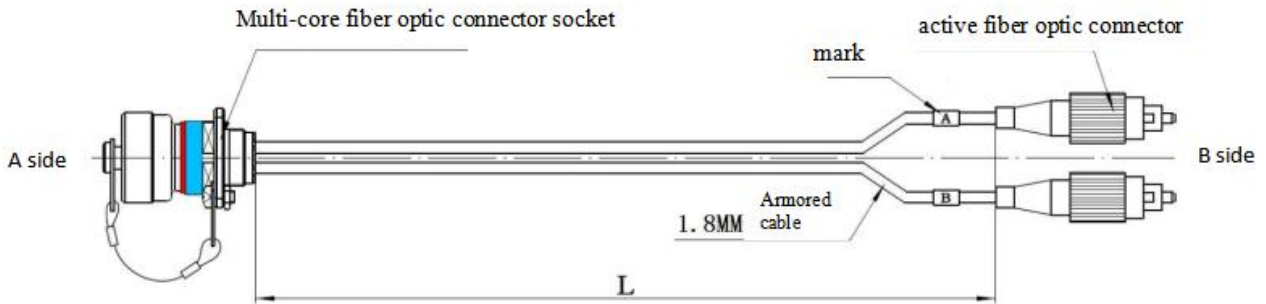
Indicates: A end is J599A8/26KC02N-plug, B end is 2 LC heads, the optical cable is an outdoor single-mode optical cable, the length of the optical cable is 10m, and the branch length is 0.5m

(2) J599A8/26KC04N-4FC-OM2-L1/0.3

Indicates: A end is J599A8/26KC04N-plug, B end is 4 FC heads, the optical cable is an outdoor multimode 62.5/125 optical cable, the length of the optical cable is 1m, and the branch length is 0.3m

Socket Assembly Outline Drawing





Ordering information

A-side plug (seat) model J599 A8/20KC04A1N	-	4FC	-	S	L0.5
A-side plug (seat) model	4-Indicates the number of active connectors LC-plug form can be SC, FC, ST, etc.				
Fiber type	S-SM OM1-MM62.5/125 OM2-MM50/125 OM3-MM50/125 (OM3 High Speed) OM4-MMOM4				
Cable Assembly Length	L0.5-Cable Length L=0.5 (unit : m)				

[Example of order model number]

(1) J599A8/20KC02A1N-2FC-S-L0.5

Indicates: A end is J599A8/20KC02A1N-socket, B end is 2 FC heads, the optical cable is an outdoor single-mode optical cable, and the length of the optical cable is 0.5m.

(2) J599A8/20KC04A1N-4FC-OM2-L1

Indicates: A end is J599A8/20KC04A1N-socket, B end is 4 FC heads, the optical cable is an outdoor multimode 62.5/125 optical cable, and the length of the optical cable is 1m.

